

## Planetary Mixers

### Planetary Mixer, 5 lt - Electronic with Hub, White with UK Plug

ITEM # \_\_\_\_\_

MODEL # \_\_\_\_\_

NAME # \_\_\_\_\_

SIS # \_\_\_\_\_

AIA # \_\_\_\_\_



600191 (EMX5BWHG)

\* NOT TRANSLATED \*

#### Main Features

- Small, compact planetary mixer designed to whisk and mix, providing also good kneading results.
- Maximum capacity (flour, with 60% of hydration) 0,75 kg.
- Tools shape and size perfectly adapt to the bowl for uniform mixing of even small quantities.
- Electronic speed variator.
- Removable safety screen activates the raising and lowering of the bowl.
- Delivered with:-Paddle, Semi-spiral Hook, Wire Whisk and Mixing Bowl for 5,5 lt-K type accessory drive hub (accessories are not included)
- Safety device will automatically stop the machine when the bowl is lowered.
- Bowl detection device allows the mixer to switch on only when the bowl and the solid safety screen are properly installed and positioned together.

#### Construction

- Compact design.
- Semi-spiral hook, paddle and wire whisk in stainless steel.
- 304 AISI stainless steel bowl with 2 handles - 5,5 lt capacity.
- Universal powerful motor with high start-up torque and overload protection.
- Variable speed from 40 to 240 rpm (planetary movement), to adjust to the selected tool and mixture hardness.
- Variable speed rotation of the tools from 84 rpm to 500 rpm.
- Power: 500 watts.
- Transparent solid safety screen made of Eastman Tritan™ copolyester BPA free, impact resistant and stays clear and durable after several dishwashing cycle. Eastman&Tritan are trademarks for Eastman Chemical Company.
- Water protected planetary system (IP55 electrical controls, IP34 overall machine).
- Delivered with UK plug.

#### Included Accessories

- |   |            |
|---|------------|
| • 1 of - NOT TRANSLATED -                     | PNC 653754 |
| • 1 of - NOT TRANSLATED -                     | PNC 653755 |
| • 1 of Additional stainless steel paddle 5 lt | PNC 653756 |
| • 1 of Additional stainless steel whisk 5 lt  | PNC 653757 |

#### Optional Accessories

- |  |            |   |
|--|------------|---|
| • 60 mm meatmincer for attachment type K (12 mm square hub) and 1 disc | PNC 653043 | □ |
| • 3 discs (3-4,5-8 mm) for meatmincer                                  | PNC 653044 | □ |
| • - NOT TRANSLATED -   | PNC 653296 | □ |
| • - NOT TRANSLATED -   | PNC 653298 | □ |
| • - NOT TRANSLATED -   | PNC 653300 | □ |

APPROVAL: \_\_\_\_\_



**Electrolux**  
PROFESSIONAL

## Planetary Mixers Planetary Mixer, 5 lt - Electronic with Hub, White with UK Plug

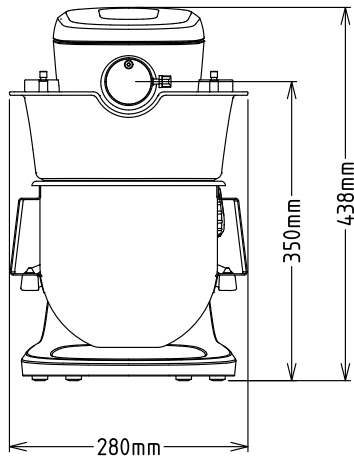
- - NOT TRANSLATED - PNC 653754
- - NOT TRANSLATED - PNC 653755
- Additional stainless steel paddle 5 lt PNC 653756
- Additional stainless steel whisk 5 lt PNC 653757



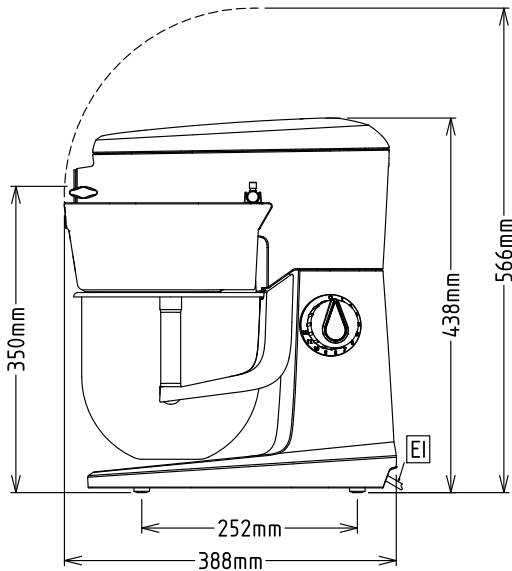
Planetary Mixers  
Planetary Mixer, 5 lt - Electronic with Hub, White with UK Plug  
The company reserves the right to make modifications to the products  
without prior notice. All information correct at time of printing.

2024.03.21

Front

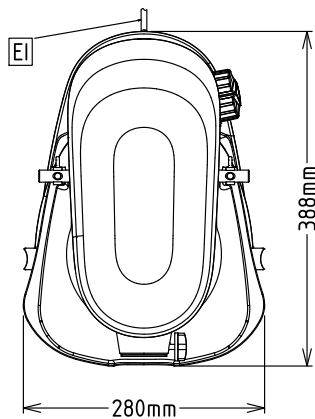


Side



EI = Electrical inlet (power)

Top


**Electric**
**Supply voltage:**

600191 (EMX5BWHG) 200-240 V/1N ph/50/60 Hz

**Total Watts:**

0.5 kW

**Capacity:**
**Performance (up to):** 0.75 kg/Cycle

**Capacity:** 5.5 litres

**Key Information:**
**External dimensions, Width:** 280 mm

**External dimensions, Depth:** 388 mm

**External dimensions, Height:** 438 mm

**Shipping weight:** 15.5 kg

**Net weight (kg):** 11

**Cold water paste:** 0.75 kg with Semi spiral hook

**Egg whites:** 12 with Whisk